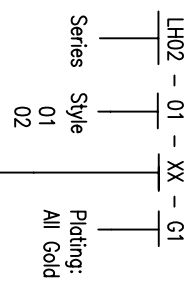


REV	ECON. NO.	APP.	DATE
A	NEW DESIGN		

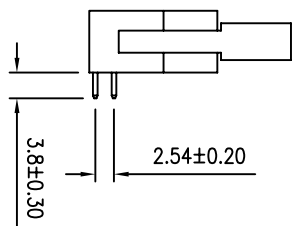
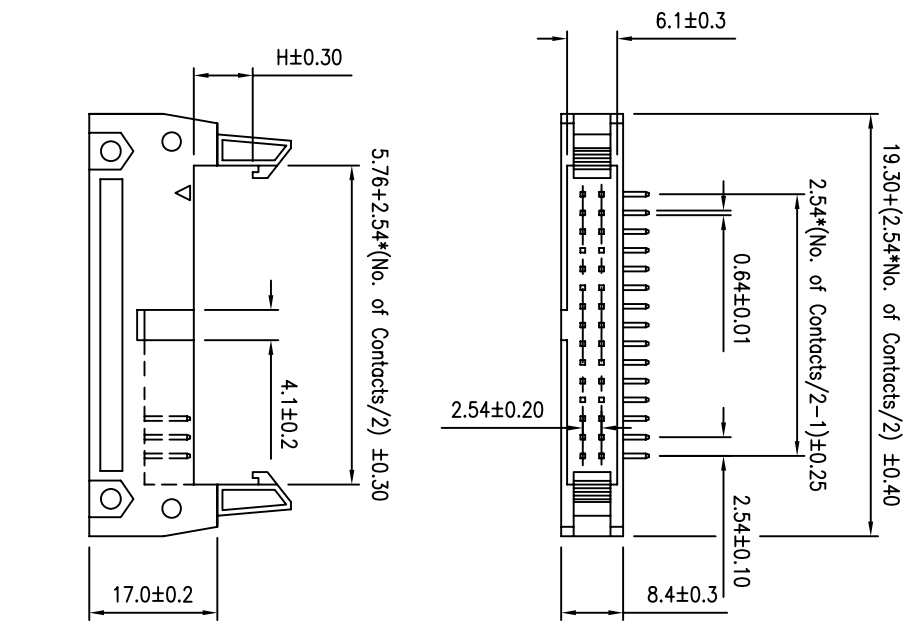
SPECIFICATION

- * Current Rating: 3 A
- * Withstanding Voltage: 500 VAC (1 min.)
- * Insulation Resistance: 1000 Megohms min.
- * Contact Resistance: 30 Milliohms max.
- * Operating Temperature: -40°C to +85°C
- * Retention Force: 1 kg MIN.

ORDER INFORMATION

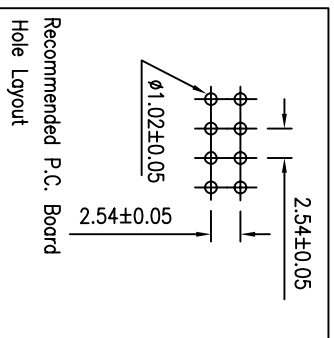


No. of pos	
010	030
012	034
014	040
016	050
020	060
026	064



Style

Style	H
01	7.80
02	4.30



SHINHWHA TECH CO.,LTD

0.0±	SCALE:	TITLE:	PART NO.:
0.00±	UNIT: MM	2.54X2.54MM (.100"*.100")	APP BY:
0.000±		P.C.B HEADER With Latches	CHK BY:
		MATL: PBT + 30% GF	DR BY:
		DWG. NO. LH02	

